



UD4P20

Preliminary

Power MOSFET

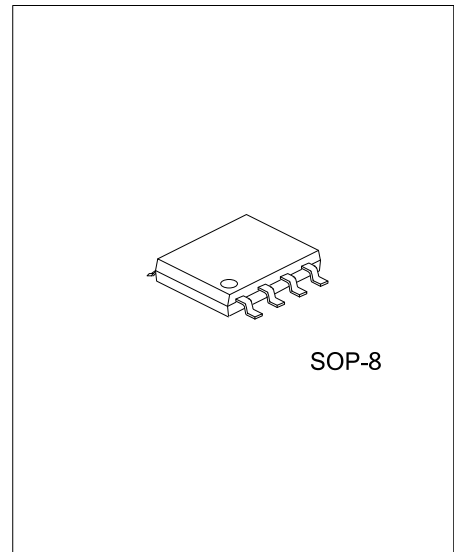
4A, 20V DUAL P-CHANNEL POWER MOSFET

DESCRIPTION

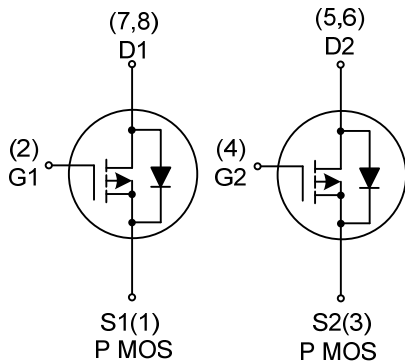
The UTC **UD4P20** uses advanced technology to provide excellent $R_{DS(ON)}$, low gate charge and operation with low gate voltages. This device is manufacturing reproducible. The UTC **UD4P20** is suitable for applications, such as battery management in nomadic equipment and power management in cellular phone.

FEATURES

- * $R_{DS(ON)}$: 0.07 Ω (TYP.)
- * Low on-resistance
- * Rugged avalanche characteristic
- * Easy automated surface mount assembly with standard outline
- * Low threshold drive



SYMBOL



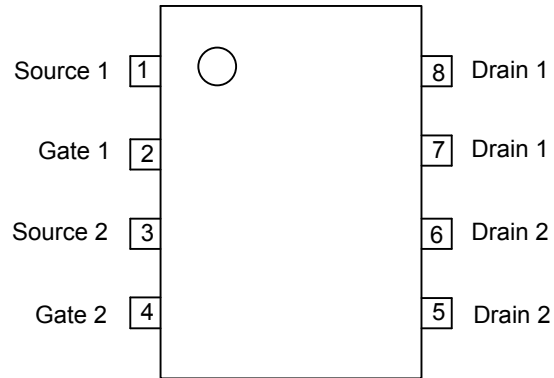
ORDERING INFORMATION

Ordering Number		Package	Packing
Lead Free	Halogen Free		
UD4P20L-S08-R	UD4P20G-S08-R	SOP-8	Tape Reel
UD4P20L-S08-T	UD4P20G-S08-T	SOP-8	Tube

Note: Pin Assignment: G: Gate D: Drain S: Source

<p>UD4P20L-S08-R</p> <p>(1) Packing Type</p> <p>(2) Package Type</p> <p>(3) Lead Free</p>	<p>(1) R: Tape Reel, T: Tube</p> <p>(2) S08: SOP-8</p> <p>(3) G: Halogen Free, L: Lead Free</p>
---	---

■ PIN CONFIGURATION



■ ABSOLUTE MAXIMUM RATINGS (unless otherwise specified.)

PARAMETER	SYMBOL	RATINGS	UNIT
Drain-Source Voltage ($V_{GS}=0V$)	V_{DSS}	-20	V
Drain-Gate Voltage ($R_{GS}=20k\Omega$)	V_{DGR}	-20	V
Gate-Source Voltage	V_{GSS}	± 16	V
Continuous Drain Current ($T_C=25^\circ C$, Single Operation)	I_D	-4	A
Pulsed Drain Current (Note 2)	I_{DM}	-16	A
Power Dissipation ($T_C=25^\circ C$)	Dual Operation	1.6	W
	Single Operation	2	W
Junction Temperature	T_J	+150	$^\circ C$
Storage Temperature	T_{STG}	-55 ~ +150	$^\circ C$

Notes: 1. Absolute maximum ratings are those values beyond which the device could be permanently damaged. Absolute maximum ratings are stress ratings only and functional device operation is not implied.
2. Pulse width limited by safe operating area.

■ THERMAL DATA

PARAMETER	SYMBOL	RATINGS	UNIT
Junction to Ambient	Single Operation	62.5	$^\circ C/W$
	Dual Operation	78	$^\circ C/W$

Note: When Mounted on 0.5 in² pad of 2oz. copper

■ ELECTRICAL CHARACTERISTICS ($T_C=25^\circ C$, unless otherwise specified.)

PARAMETER	SYMBOL	TEST CONDITIONS	MIN	TYP	MAX	UNIT
OFF CHARACTERISTICS						
Drain-Source Breakdown Voltage	BV_{DSS}	$I_D = -250\mu A$, $V_{GS} = 0 V$	-20			V
Drain-Source Leakage Current	I_{DSS}	$V_{DS} = -20 V$, $V_{GS} = 0 V$			-1	μA
Gate- Source Leakage Current	I_{GSS}	$V_{GS} = \pm 16 V$, $V_{DS} = 0 V$			± 100	nA
ON CHARACTERISTICS (Note 1)						
Gate Threshold Voltage	$V_{GS(TH)}$	$V_{DS} = V_{GS}$, $I_D = -250\mu A$	-1	-1.6	-2.5	V
Static Drain-Source On-State Resistance	$R_{DS(ON)}$	$V_{GS} = -10 V$, $I_D = -2A$		70	80	m Ω
		$V_{GS} = -4.5 V$, $I_D = -2A$		85	100	m Ω
DYNAMIC PARAMETERS						
Input Capacitance	C_{ISS}	$V_{DS} = -25 V$, $V_{GS} = 0 V$ $f=1MHz$		1350		pF
Output Capacitance	C_{OSS}			490		pF
Reverse Transfer Capacitance	C_{RSS}			130		pF
SWITCHING PARAMETERS						
Turn-ON Delay Time	$t_{D(ON)}$	$V_{DD} = -15V$, $I_D = -2A$, $V_{GS} = -4.5 V$, $R_G = 4.7 \Omega$		25		ns
Turn-ON Rise Time	t_R			35		ns
Turn-OFF Delay Time	$t_{D(OFF)}$			125		ns
Turn-OFF Fall-Time	t_F			35		ns
Total Gate Charge	Q_G	$V_{DD} = -24 V$, $V_{GS} = -5 V$ $I_D = -4 A$		12.5	16	nC
Gate Source Charge	Q_{GS}			5		nC
Gate Drain Charge	Q_{GD}			3		nC
SOURCE- DRAIN DIODE RATINGS AND CHARACTERISTICS						
Drain-Source Diode Forward Voltage (Note 1)	V_{SD}	$I_{SD} = -4 A$, $V_{GS} = 0 V$			-1.2	V
Maximum Continuous Drain-Source Diode Forward Current	I_{SD}				-4	A
Maximum Pulsed Drain-Source Diode Forward Current (Note 2)	I_{SDM}				-16	A
Reverse Recovery Time	t_{rr}	$I_{SD} = -4A$, $V_{DD} = -15V$		45		ns
Reverse Recovery Charge	Q_{RR}	$dI/dt = 100A/\mu s$, $T_J = 150^\circ C$		36		nC

Notes: 1. Pulsed: Pulse duration = 300 μs , duty cycle $\leq 1.5\%$.
2. Pulse width limited by safe operating area.

UTC assumes no responsibility for equipment failures that result from using products at values that exceed, even momentarily, rated values (such as maximum ratings, operating condition ranges, or other parameters) listed in products specifications of any and all UTC products described or contained herein. UTC products are not designed for use in life support appliances, devices or systems where malfunction of these products can be reasonably expected to result in personal injury. Reproduction in whole or in part is prohibited without the prior written consent of the copyright owner. The information presented in this document does not form part of any quotation or contract, is believed to be accurate and reliable and may be changed without notice.