



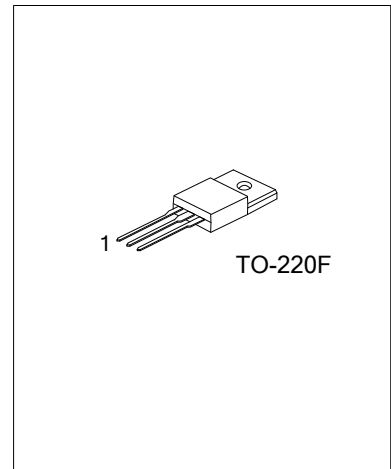
3N65Z

Power MOSFET

3A, 650V N-CHANNEL POWER MOSFET

DESCRIPTION

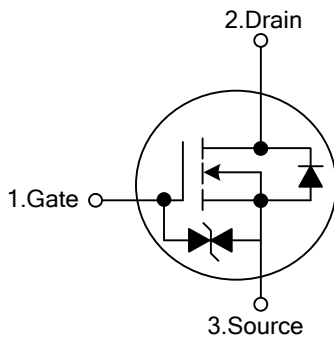
The UTC **3N65Z** is a high voltage and high current power MOSFET designed to have better characteristics, such as fast switching time, low gate charge, low on-state resistance and high rugged avalanche characteristics. This power MOSFET is usually used in high speed switching applications at power supplies, PWM motor controls, high efficient DC to DC converters and bridge circuits.



FEATURES

- * $R_{DS(ON)} = 3.8\Omega @ V_{GS} = 10V$
- * Ultra low gate charge (typical 10nC)
- * Low reverse transfer capacitance ($C_{RSS} =$ typical 5.5 pF)
- * Fast switching capability
- * Avalanche energy specified
- * Improved dv/dt capability, high ruggedness

SYMBOL



ORDERING INFORMATION

| Ordering Number | | Package | Pin Assignment | | | Packing |
|-----------------|--------------|---------|----------------|---|---|---------|
| Lead Free | Halogen Free | | 1 | 2 | 3 | |
| 3N65ZL-TF3-T | 3N65ZG-TF3-T | TO-220F | G | D | S | Tube |

Note: Pin Assignment: G: Gate D: Drain S: Source

| | |
|---|---|
| <p>3N65ZL-TF3-T</p> <p>(1)Packing Type (2)Package Type (3)Lead Free</p> | <p>(1) T: Tube (2) TF3: TO-220F (3) G: Halogen Free, L: Lead Free</p> |
|---|---|

■ ABSOLUTE MAXIMUM RATINGS ($T_C = 25^\circ\text{C}$, unless otherwise specified)

| PARAMETER | | SYMBOL | RATINGS | UNIT |
|------------------------------------|------------------------|-----------|------------|------------------|
| Drain-Source Voltage | | V_{DSS} | 650 | V |
| Gate-Source Voltage | | V_{GSS} | ± 30 | V |
| Avalanche Current (Note 2) | | I_{AR} | 3.0 | A |
| Continuous Drain Current | | I_D | 3.0 | A |
| Pulsed Drain Current (Note 2) | | I_{DM} | 12 | A |
| Avalanche Energy | Single Pulsed (Note 3) | E_{AS} | 200 | mJ |
| | Repetitive (Note 2) | E_{AR} | 7.5 | mJ |
| Peak Diode Recovery dv/dt (Note 4) | | dv/dt | 4.5 | V/ns |
| Power Dissipation | | P_D | 34 | W |
| Junction Temperature | | T_J | +150 | $^\circ\text{C}$ |
| Operating Temperature | | T_{OPR} | -55 ~ +150 | $^\circ\text{C}$ |
| Storage Temperature | | T_{STG} | -55 ~ +150 | $^\circ\text{C}$ |

Note: 1. Absolute maximum ratings are those values beyond which the device could be permanently damaged.

Absolute maximum ratings are stress ratings only and functional device operation is not implied.

2. Repetitive Rating: Pulse width limited by maximum junction temperature
3. $L = 64\text{mH}$, $I_{AS} = 2.4\text{A}$, $V_{DD} = 50\text{V}$, $R_G = 25\ \Omega$, Starting $T_J = 25^\circ\text{C}$
4. $I_{SD} \leq 3.0\text{A}$, $di/dt \leq 200\text{A}/\mu\text{s}$, $V_{DD} \leq BV_{DSS}$, Starting $T_J = 25^\circ\text{C}$

■ THERMAL DATA

| PARAMETER | SYMBOL | RATING | UNIT |
|---------------------|---------------|--------|---------------------------|
| Junction to Ambient | θ_{JA} | 62.5 | $^\circ\text{C}/\text{W}$ |
| Junction to Case | θ_{JC} | 3.68 | $^\circ\text{C}/\text{W}$ |

■ ELECTRICAL CHARACTERISTICS ($T_C = 25^\circ\text{C}$, unless otherwise specified)

| PARAMETER | SYMBOL | TEST CONDITIONS | MIN | TYP | MAX | UNIT |
|---|------------------------------|---|-----|-----|------|---------------------------|
| OFF CHARACTERISTICS | | | | | | |
| Drain-Source Breakdown Voltage | BV_{DSS} | $V_{GS} = 0\text{V}$, $I_D = 250\ \mu\text{A}$ | 650 | | | V |
| Drain-Source Leakage Current | I_{DSS} | $V_{DS} = 650\text{V}$, $V_{GS} = 0\text{V}$ | | | 10 | μA |
| Gate-Source Leakage Current | Forward | I_{GSS} | | | 100 | nA |
| | Reverse | | | | -100 | nA |
| Breakdown Voltage Temperature Coefficient | $\Delta BV_{DSS}/\Delta T_J$ | $I_D = 250\ \mu\text{A}$, Referenced to 25°C | | 0.6 | | $\text{V}/^\circ\text{C}$ |
| ON CHARACTERISTICS | | | | | | |
| Gate Threshold Voltage | $V_{GS(TH)}$ | $V_{DS} = V_{GS}$, $I_D = 250\ \mu\text{A}$ | 2.0 | | 4.0 | V |
| Static Drain-Source On-State Resistance | $R_{DS(ON)}$ | $V_{GS} = 10\text{V}$, $I_D = 1.5\text{A}$ | | 2.9 | 3.8 | Ω |
| DYNAMIC CHARACTERISTICS | | | | | | |
| Input Capacitance | C_{ISS} | $V_{DS} = 25\text{V}$, $V_{GS} = 0\text{V}$, $f = 1\text{MHz}$ | | 350 | 450 | pF |
| Output Capacitance | C_{OSS} | | | 50 | 65 | pF |
| Reverse Transfer Capacitance | C_{RSS} | | | 5.5 | 7.5 | pF |

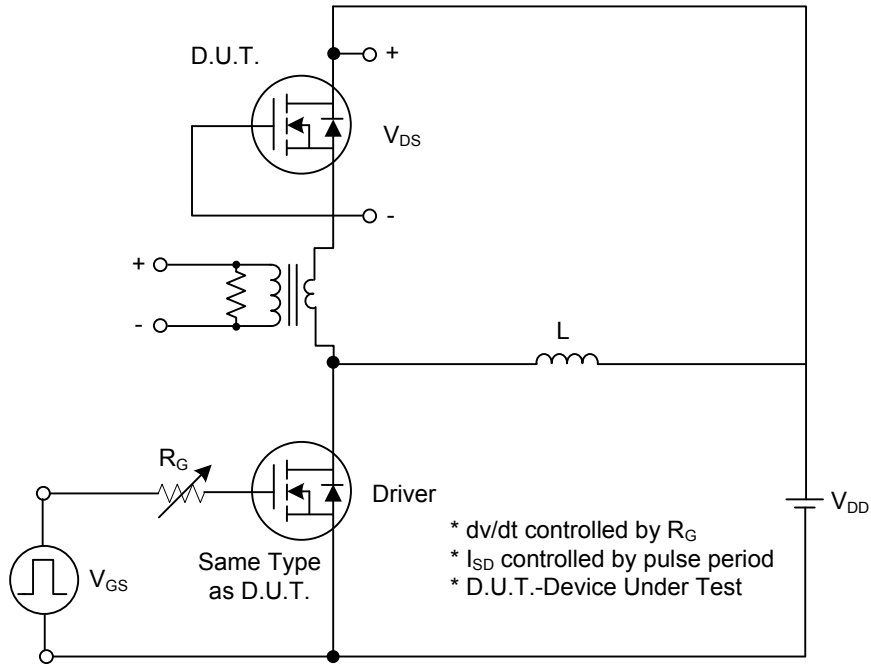
■ ELECTRICAL CHARACTERISTICS(Cont.)

| PARAMETER | SYMBOL | TEST CONDITIONS | MIN | TYP | MAX | UNIT |
|--|--------------|---|-----|-----|-----|---------|
| SWITCHING CHARACTERISTICS | | | | | | |
| Turn-On Delay Time | $t_{D(ON)}$ | $V_{DD} = 325V, I_D = 3.0A,$ $R_G = 25\Omega$ (Note 1, 2) | | 10 | 30 | ns |
| Turn-On Rise Time | t_R | | | 30 | 70 | ns |
| Turn-Off Delay Time | $t_{D(OFF)}$ | | | 20 | 50 | ns |
| Turn-Off Fall Time | t_F | | | 30 | 70 | ns |
| Total Gate Charge | Q_G | $V_{DS} = 520V, I_D = 3.0A,$ $V_{GS} = 10V$ (Note 1, 2) | | 10 | 13 | nC |
| Gate-Source Charge | Q_{GS} | | | 2.7 | | nC |
| Gate-Drain Charge | Q_{DD} | | | 4.9 | | nC |
| SOURCE- DRAIN DIODE RATINGS AND CHARACTERISTICS | | | | | | |
| Drain-Source Diode Forward Voltage | V_{SD} | $V_{GS} = 0V, I_S = 3.0A$ | | | 1.4 | V |
| Maximum Continuous Drain-Source Diode Forward Current | I_S | | | | 3.0 | A |
| Maximum Pulsed Drain-Source Diode Forward Current | I_{SM} | | | | 12 | A |
| Reverse Recovery Time | t_{rr} | $V_{GS} = 0V, I_S = 3.0A,$ $dI_F/dt = 100A/\mu s$ (Note 1) | | 210 | | ns |
| Reverse Recovery Charge | Q_{RR} | | | 1.2 | | μC |

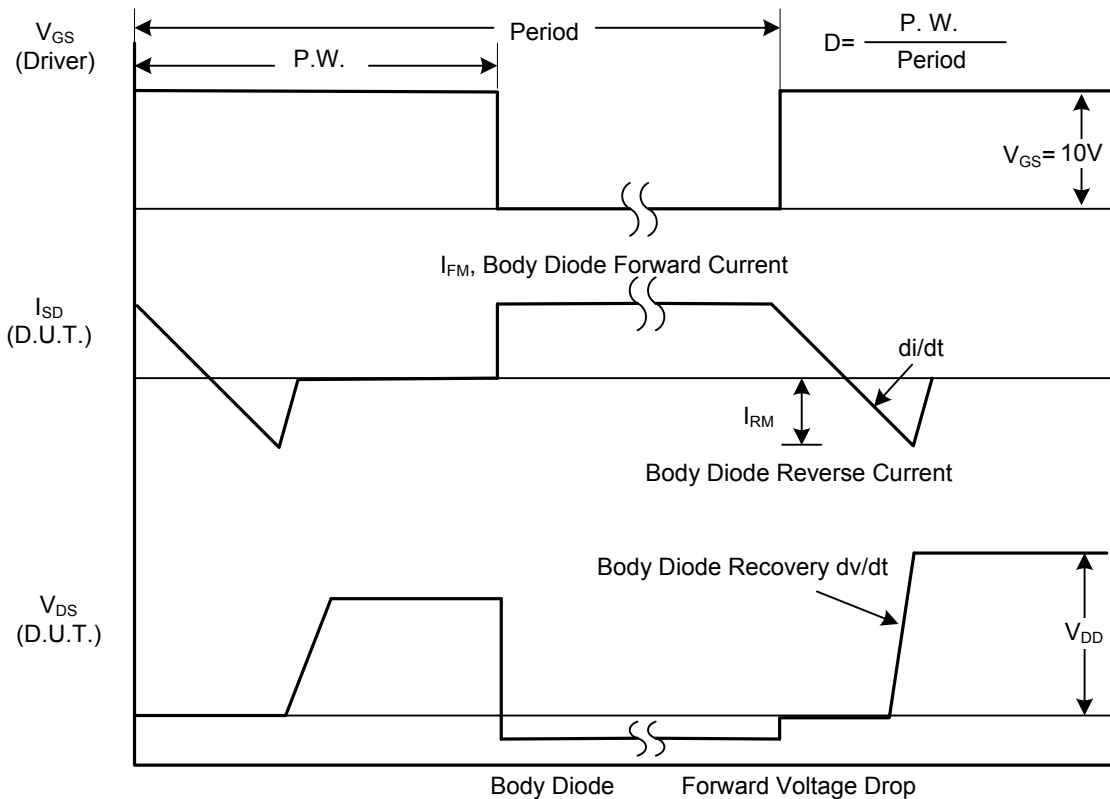
Notes: 1. Pulse Test: Pulse Width $\leq 300\mu s$, Duty Cycle $\leq 2\%$

2. Essentially independent of operating temperature.

■ TEST CIRCUITS AND WAVEFORMS

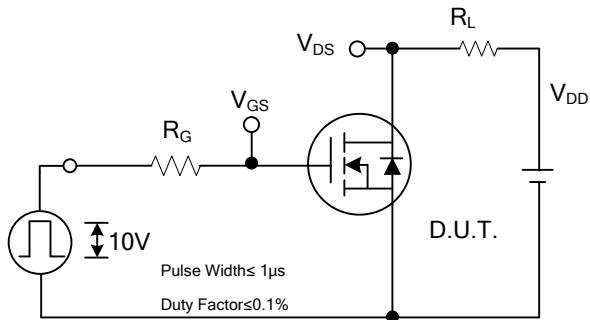


Peak Diode Recovery dv/dt Test Circuit

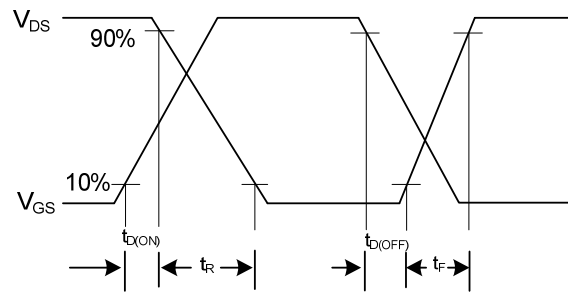


Peak Diode Recovery dv/dt Waveforms

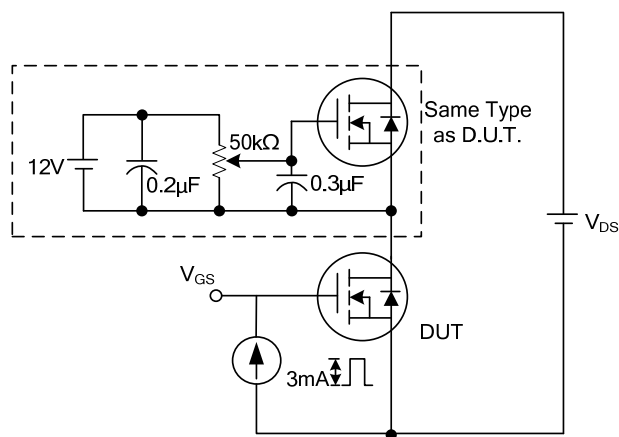
TEST CIRCUITS AND WAVEFORMS (Cont.)



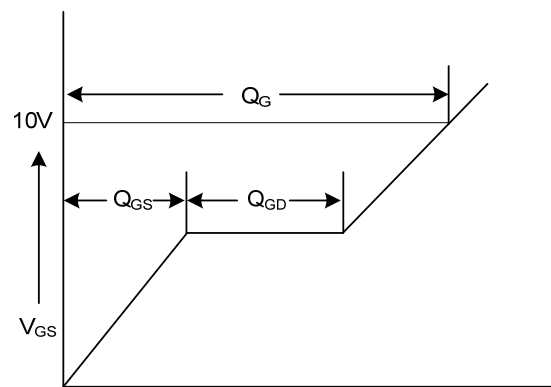
Switching Test Circuit



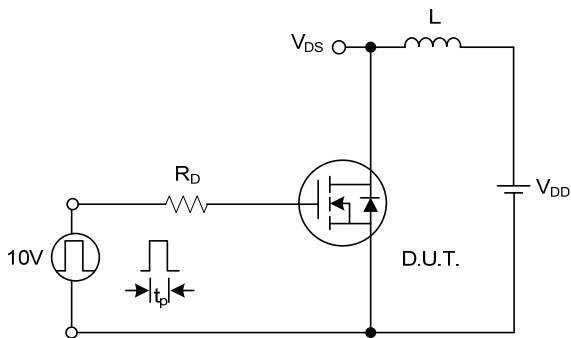
Switching Waveforms



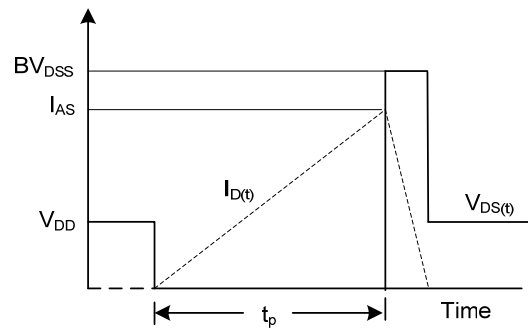
Gate Charge Test Circuit



Gate Charge Waveform



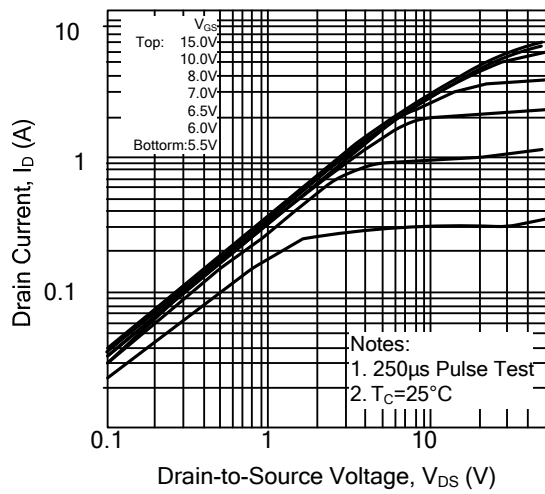
Unclamped Inductive Switching Test Circuit



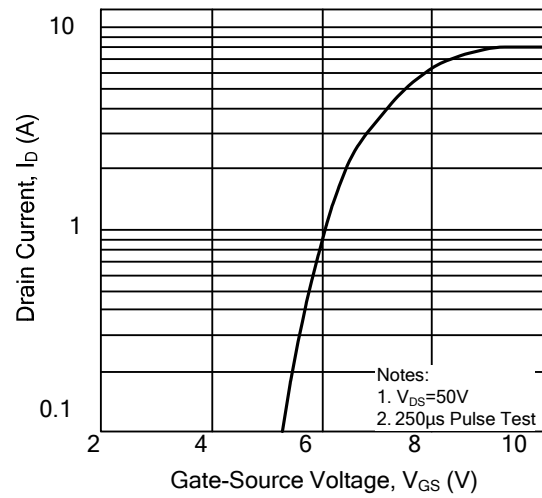
Unclamped Inductive Switching Waveforms

TYPICAL CHARACTERISTICS

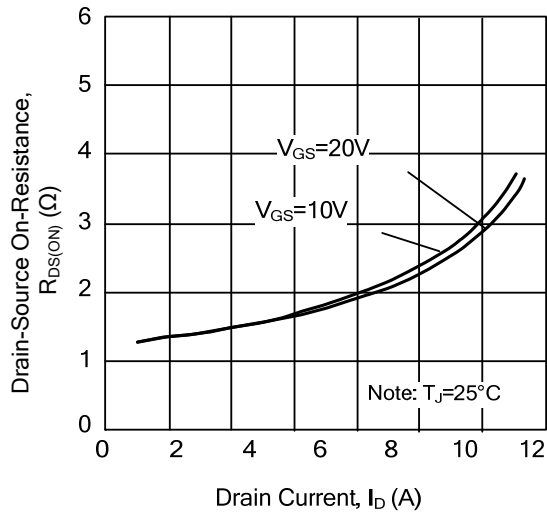
On-State Characteristics



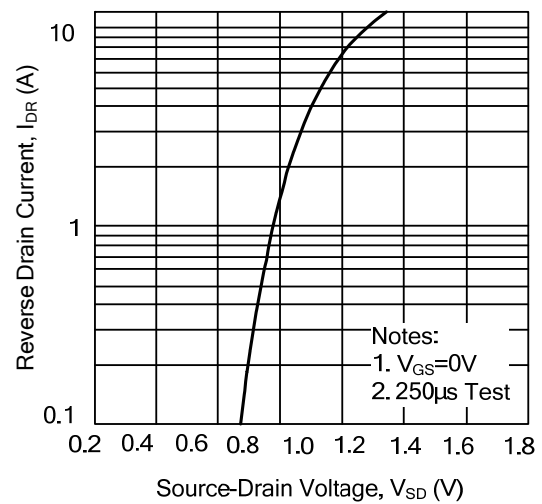
Transfer Characteristics



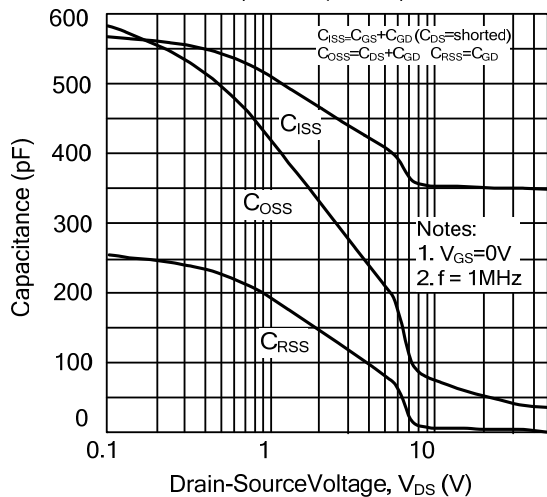
On-Resistance Variation vs. Drain Current and Gate Voltage



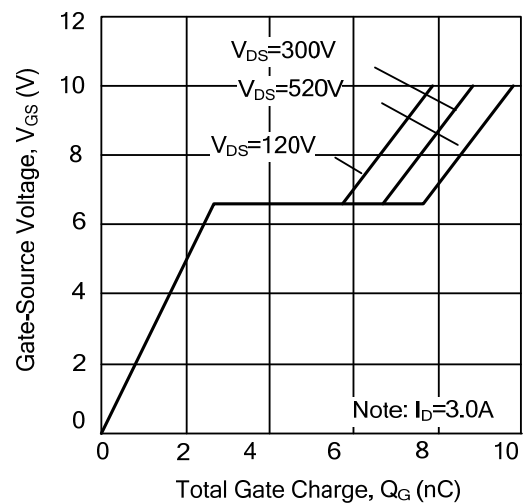
On State Current vs. Allowable Case Temperature



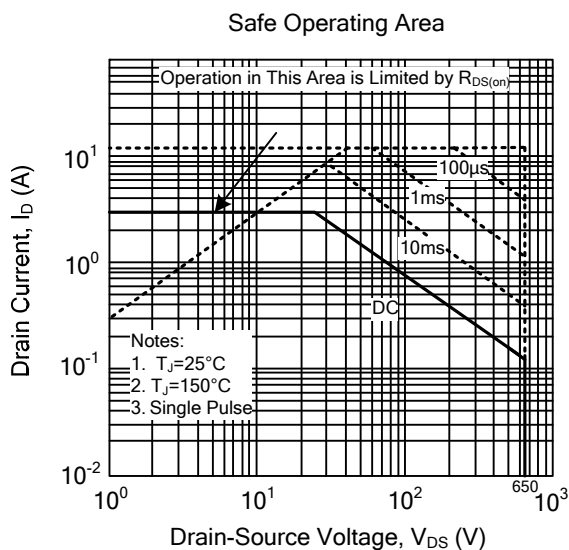
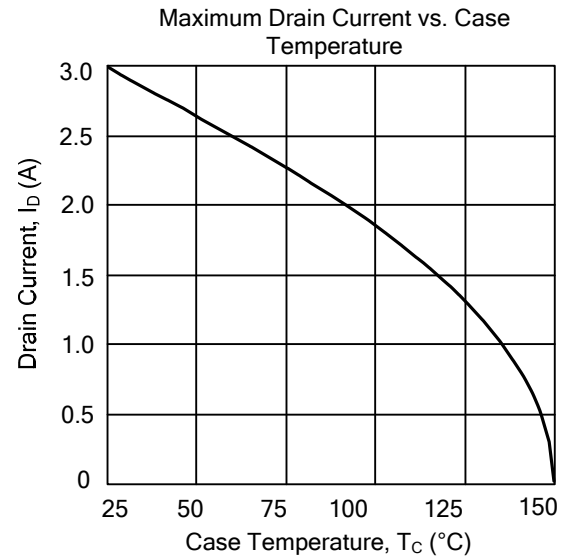
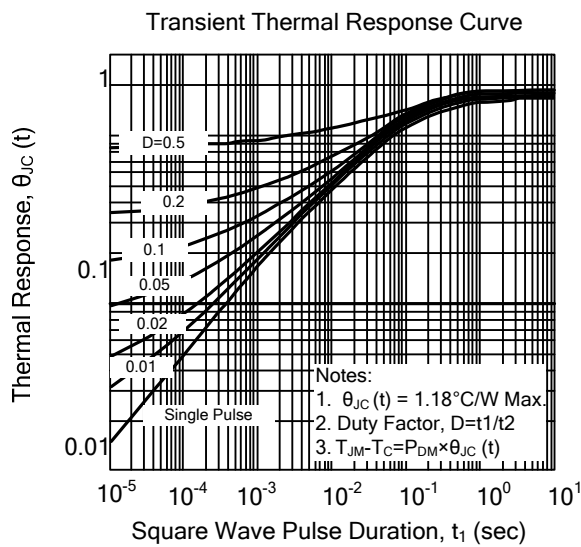
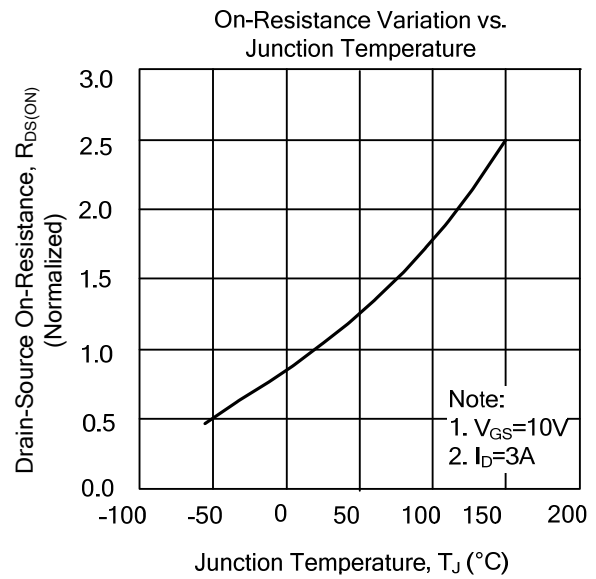
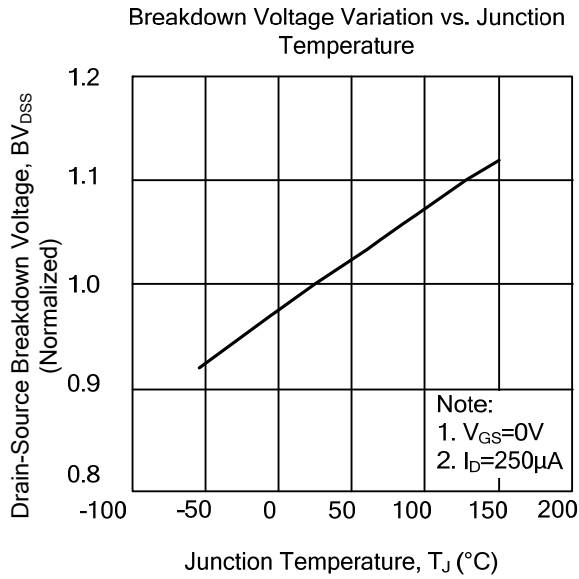
Capacitance Characteristics (Non-Repetitive)



Gate Charge Characteristics



TYPICAL CHARACTERISTICS(Cont.)



UTC assumes no responsibility for equipment failures that result from using products at values that exceed, even momentarily, rated values (such as maximum ratings, operating condition ranges, or other parameters) listed in products specifications of any and all UTC products described or contained herein. UTC products are not designed for use in life support appliances, devices or systems where malfunction of these products can be reasonably expected to result in personal injury. Reproduction in whole or in part is prohibited without the prior written consent of the copyright owner. The information presented in this document does not form part of any quotation or contract, is believed to be accurate and reliable and may be changed without notice.