



## UTT65P04

Preliminary

Power MOSFET

### 65A, 40V P-CHANNEL POWER MOSFET

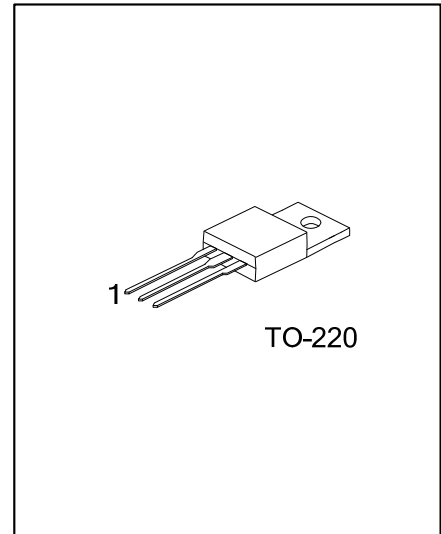
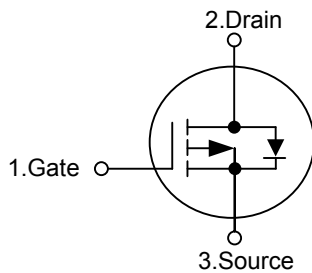
#### DESCRIPTION

The UTC **UTT65P04** is a P-channel power MOSFET using UTC's advanced technology to provide the customers with high switching speed and a minimum on-state resistance. It can also withstand high energy in the avalanche.

#### FEATURES

- \*  $R_{DS(ON)}=0.012\Omega$  @  $V_{GS}=-10V$ ,  $I_D=-30A$
- \* High Switching Speed

#### SYMBOL



#### ORDERING INFORMATION

Ordering Number		Package	Pin Assignment			Packing
Lead Free	Halogen Free		1	2	3	
UTT65P04L-TA3-T	UTT65P04G-TA3-T	TO-220	G	D	S	Tube

Note: Pin Assignment: G: Gate D: Drain S: Source

UTT65P04L-TA3-T 	(1) Packing Type (2) Package Type (3) Lead Free	(1) T: Tube (2) TA3: TO-220 (3) G: Halogen Free, L: Lead Free
---------------------	---	---

■ ABSOLUTE MAXIMUM RATINGS ( $T_c=25^\circ\text{C}$ , unless otherwise specified)

PARAMETER		SYMBOL	RATINGS	UNIT
Drain-Source Voltage		$V_{DSS}$	-40	V
Gate-Source Voltage		$V_{GSS}$	$\pm 20$	V
Drain Current	Continuous ( $T_J=175^\circ\text{C}$ )	$I_D$	-65	A
			-37	A
	Pulsed	$I_{DM}$	-240	A
Avalanche Current		$I_{AR}$	-60	A
Repetitive Avalanche Energy (Note 2)		$E_{AR}$	180	mJ
Power Dissipation	$T_c=25^\circ\text{C}$	$P_D$	120 (Note 4)	W
Junction Temperature		$T_J$	-55~+175	$^\circ\text{C}$
Storage Temperature		$T_{STG}$	-55~+175	$^\circ\text{C}$

Notes: 1. Absolute maximum ratings are those values beyond which the device could be permanently damaged.

Absolute maximum ratings are stress ratings only and functional device operation is not implied.

2. Duty cycle  $\leq 1\%$ .
3. When mounted on 1" square PCB (FR-4 material).
4. See SOA curve for voltage derating.

■ THERMAL CHARACTERISTICS

PARAMETER	SYMBOL	RATINGS	UNIT
Junction to Ambient	$\theta_{JA}$	62.5	$^\circ\text{C/W}$
Junction to Case	$\theta_{JC}$	1.25	$^\circ\text{C/W}$

■ ELECTRICAL CHARACTERISTICS (T<sub>J</sub>=25°C, unless otherwise specified)

PARAMETER	SYMBOL	TEST CONDITIONS	MIN	TYP	MAX	UNIT
<b>OFF CHARACTERISTICS</b>						
Drain-Source Breakdown Voltage	BV <sub>DSS</sub>	I <sub>D</sub> =-250μA, V <sub>GS</sub> =0V	-40			V
Drain-Source Leakage Current	I <sub>DSS</sub>	V <sub>DS</sub> =-40V, V <sub>GS</sub> =0V			-1	μA
		V <sub>DS</sub> =-40V, V <sub>GS</sub> =0V, T <sub>J</sub> =125°C			-50	
		V <sub>DS</sub> =-40V, V <sub>GS</sub> =0V, T <sub>J</sub> =175°C			-250	
Gate- Source Leakage Current	Forward	I <sub>GSS</sub>				nA
	Reverse					
						-100
<b>ON CHARACTERISTICS</b>						
Gate Threshold Voltage	V <sub>GS(TH)</sub>	V <sub>DS</sub> =V <sub>GS</sub> , I <sub>D</sub> =-250μA	-1		-3	V
Static Drain-Source On-State Resistance (Note 4)	R <sub>DS(ON)</sub>	V <sub>GS</sub> =-10V, I <sub>D</sub> =-30A		0.012	0.015	Ω
		V <sub>GS</sub> =-10V, I <sub>D</sub> =-30A, T <sub>J</sub> =125°C			0.024	
		V <sub>GS</sub> =-10V, I <sub>D</sub> =-30A, T <sub>J</sub> =175°C			0.030	
		V <sub>GS</sub> =-4.5V, I <sub>D</sub> =-20A		0.018	0.023	
Forward Transconductance (Note 1)	g <sub>FS</sub>	V <sub>DS</sub> =-15V, I <sub>D</sub> =-50A	20			S
On State Drain Current (Note 1)	I <sub>D(ON)</sub>	V <sub>GS</sub> =-10V, V <sub>DS</sub> =-5V	-120			A
<b>DYNAMIC PARAMETERS (Note 2)</b>						
Input Capacitance	C <sub>ISS</sub>	V <sub>GS</sub> =0V, V <sub>DS</sub> =-25V, f=1.0MHz		5400		pF
Output Capacitance	C <sub>OSS</sub>			640		pF
Reverse Transfer Capacitance	C <sub>RSS</sub>			300		pF
<b>SWITCHING PARAMETERS (Note 2, 3)</b>						
Total Gate Charge	Q <sub>G</sub>	V <sub>GS</sub> =-10V, V <sub>DS</sub> =-20V, I <sub>D</sub> =-65A		85	130	nC
Gate to Source Charge	Q <sub>GS</sub>			25		nC
Gate to Drain Charge	Q <sub>GD</sub>			15		nC
Turn-ON Delay Time	t <sub>D(ON)</sub>	V <sub>DD</sub> =-20V, I <sub>D</sub> =-65A, V <sub>GEN</sub> =-10V, R <sub>L</sub> =0.3Ω, R <sub>G</sub> =2.5Ω		15	25	ns
Rise Time	t <sub>R</sub>			380	580	ns
Turn-OFF Delay Time	t <sub>D(OFF)</sub>			75	115	ns
Fall-Time	t <sub>F</sub>			140	210	ns
<b>SOURCE- DRAIN DIODE RATINGS AND CHARACTERISTICS (T<sub>C</sub>=25°C) (Note 2)</b>						
Maximum Body-Diode Continuous Current	I <sub>S</sub>				-65	A
Maximum Body-Diode Pulsed Current	I <sub>SM</sub>				-240	A
Drain-Source Diode Forward Voltage (Note 1)	V <sub>SD</sub>	I <sub>F</sub> =-65A, V <sub>GS</sub> =0V		-1.2	-1.5	V
Body Diode Reverse Recovery Time	t <sub>RR</sub>	I <sub>F</sub> =-65A, di/dt=100A/μs		40	80	ns
Peak Reverse Recovery Current	I <sub>RM(REC)</sub>			2.0	4	A
Body Diode Reverse Recovery Charge	Q <sub>RR</sub>			0.04	0.1	μC

- Notes: 1. Pulse test; pulse width≤300μs, duty cycles≤2%  
 2. Guaranteed by design, not subject to production testing.  
 3. Independent of operating temperature.

UTC assumes no responsibility for equipment failures that result from using products at values that exceed, even momentarily, rated values (such as maximum ratings, operating condition ranges, or other parameters) listed in products specifications of any and all UTC products described or contained herein. UTC products are not designed for use in life support appliances, devices or systems where malfunction of these products can be reasonably expected to result in personal injury. Reproduction in whole or in part is prohibited without the prior written consent of the copyright owner. The information presented in this document does not form part of any quotation or contract, is believed to be accurate and reliable and may be changed without notice.