



B5817W

Preliminary

DIODE

SCHOTTKY DIODE

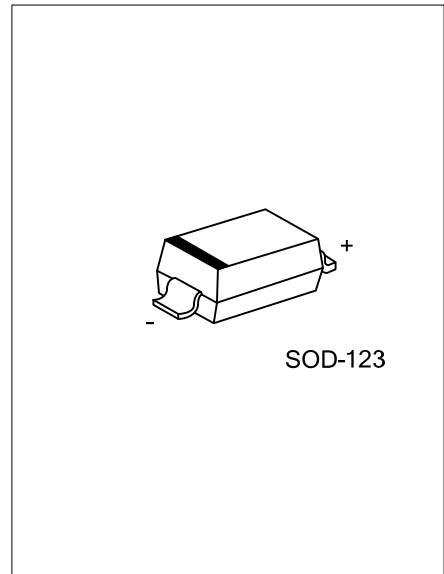
DESCRIPTION

The UTC **B5817W** is a schottky diode, it uses UTC's advanced technology to provide customers with low forward voltage drop, etc.

The UTC **B5817W** is suitable for low voltage and high frequency inverters.

FEATURES

* Low forward voltage drop



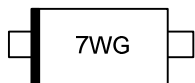
ORDERING INFORMATION

Ordering Number	Package	Pin Assignment		Packing
		1	2	
B5817WG-CA2-R	SOD-123	A	K	Tape Reel

Note: Pin assignment: A: Anode K: Cathode

<p>B5817WG-CA2-R</p> <p>(1)Packing Type</p> <p>(2)Package Type</p> <p>(3)Green Package</p>	<p>(1) R: Tape Reel</p> <p>(2) CA2: SOD-123</p> <p>(3) G: Halogen Free and Lead Free</p>
--	--

MARKING



■ ABSOLUTE MAXIMUM RATINGS ($T_A=25^{\circ}\text{C}$, unless otherwise specified)

PARAMETER	SYMBOL	RATINGS	UNIT
DC Blocking Voltage	V_{RM}	20	V
Working Peak Reverse Voltage	V_{RWM}	20	V
Peak Repetitive Peak Reverse Voltage	V_{RRM}	20	V
RMS Reverse Voltage	$V_{R(RMS)}$	14	V
Average Rectified Output Current	I_O	1	A
Peak Forward Surge Current @=8.3ms	I_{FSM}	9	A
Power Dissipation	P_D	250	mW
Operating Junction Temperature	T_J	-65~+150	$^{\circ}\text{C}$
Storage Temperature	T_{STG}	-65~+150	$^{\circ}\text{C}$

Note: Absolute maximum ratings are those values beyond which the device could be permanently damaged.
Absolute maximum ratings are stress ratings only and functional device operation is not implied.

■ THERMAL CHARACTERISTICS

PARAMETER	SYMBOL	RATINGS	UNIT
Junction to Ambient	θ_{JA}	500	$^{\circ}\text{C}/\text{W}$

■ ELECTRICAL CHARACTERISTICS ($T_A=25^{\circ}\text{C}$, unless otherwise specified)

PARAMETER	SYMBOL	TEST CONDITIONS	MIN	TYP	MAX	UNIT
Reverse Breakdown Voltage	$V_{(BR)}$	$I_R=1\text{mA}$	20			V
Forward Voltage	V_F	$I_F=1\text{A}$			0.45	V
		$I_F=3\text{A}$			0.75	V
Reverse Voltage Leakage Current	I_R	$V_R=20\text{V}$			1	mA
Total Capacitance	C_T	$V_R=4\text{V}, f=1.0\text{MHz}$			120	pF

UTC assumes no responsibility for equipment failures that result from using products at values that exceed, even momentarily, rated values (such as maximum ratings, operating condition ranges, or other parameters) listed in products specifications of any and all UTC products described or contained herein. UTC products are not designed for use in life support appliances, devices or systems where malfunction of these products can be reasonably expected to result in personal injury. Reproduction in whole or in part is prohibited without the prior written consent of the copyright owner. The information presented in this document does not form part of any quotation or contract, is believed to be accurate and reliable and may be changed without notice.